

X-RWU



Datalogger

- Datalogger
- Graphic display
- Individual channel configuration
- 8 self-powered (12 Vdc)digital inputs
- 4 digital outputs (100 mA – 24 DC)
- Memory extensions to store up to 250 days' worth of data
- RS485 integrated serial port
- 6-key keyboard with sound
- Clock and calendar
- 46277 DIN rail case (9 modules)
- Removable clamps to make installation easier

Monitor, Store, Manage

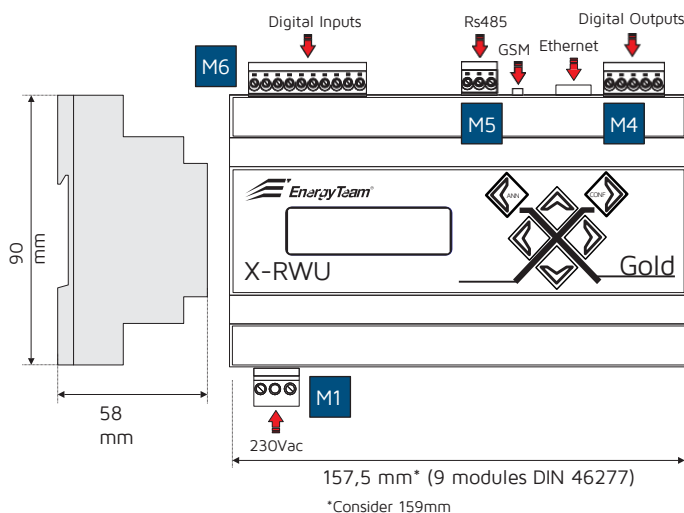
- System status
- Alarms
- Analogue measurements (4-20mA, 0-10V, etc.)
- Process temperature
- Room Temperature
- Data acquisition from various meters

Compliance - Applied standards

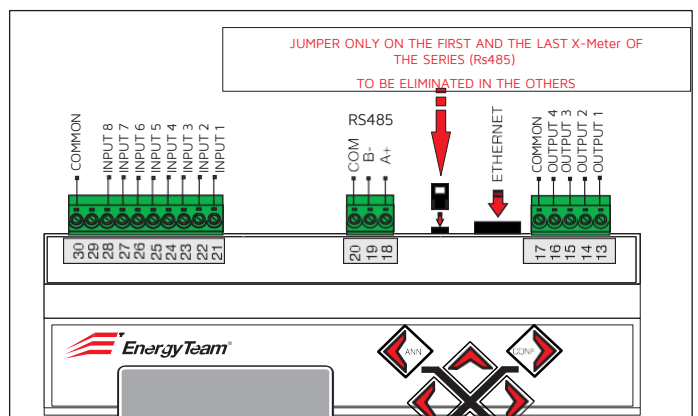
- > EN 55011(class A)
- > EN 61000-4-2 -EN 61000-4-5
- > EN 61000-4-6
- > EN 61000-4-11
- > EN 61000-4-3
- > EN 61000-4-4
- > EN 60204-1

Power supply	
Power voltage	100-250 Vac
Frequency	50-60 Hz
Consumption	5 Va
General	
8 Digital inputs	
Digital input frequency	10 Hz Max.
4 Optomos outputs	100 mA/24 Vdc
Protection rating	IP 20
Weight	400 g
Dimensions LxHxW 9 DIN modules	157.5 x 90 x58 mm
Graphic	Display
Operating temperature	-10 °C + 55 °C
Relative humidity	95% non-condensing

Dimensions and Terminal board



Serial I/O connections



- | | |
|----|---|
| M1 | Power supply - Maximum cable section: 2 mm ² (16AWG) |
| M4 | Digital outputs - Maximum cable section: 0.75 mm ² (18AWG) |
| M5 | Rs485 - Maximum cable section: 0.75 mm ² (18AWG) Belden 9841 |
| M6 | Digital Inputs - Maximum cable section: 0.75 mm ² (18AWG) |

X-RWU

Available option modules

XM4 - GSM/GPRS

GSM/GPRS modem module to make the device send emails and SMS's for alarms and status coming from the field. This module allows the remote reading of the X-RWU for online data publication service through our website.

XM5 - Ethernet

This Ethernet card inside the device allows the X-Meter to be connected to the corporate network or intranet from various data collecting instruments and monitoring stations through an IP address.

XM7 - Annual programmable clocks

This firmware module for programmable clocks with perpetual annual calendar lets the user enable 4 optomous outputs on the X-RWU DIN for automatic management of set utilities' switching ON and OFF (i.e. lights, motor, HVAC, etc.). Each X-Meter can manage up to 12 daily profiles, 2 special periods and 20 special days. Each profile defines 8 status changes within 1one day (24 hours) for each one of the 4 loads. Connect up to 128 X-Meter's for up to 512 loads' management.

XM8 - Galvanically Isolated analog Channel

1 DIN module for voltage or current signals interfacing to the X-RWU's inputs for data visualisation and storage. The X-RWU can power up to two XM8 modules and any additional one must have its own 12Vdc power supply (not included). There are 11 possible interface configurations for voltage and current signals with 0,5% full scale precision guaranteed.

XM9 - PT100-500-1000 probe interface module

1 DIN module for PT100, PT500 and PT1000 temperature probes interfacing with the X-RWU's inputs to visualise and file the temperature data acquired. The X-RWU can power up to two XM9 modules and any additional one must have its own 12Vdc power supply (not included). 0,5% full scale precision guaranteed.

XM10 - Room temperature

This device acquires room temperature data (-10 °C +65°C ± 1.5°C) to send them to the X-RWU's for visualisation and storage. XM10 is suitable for wall fitting and the X-RWU can power up to two XM10 modules and any additional one must have its own 12Vdc power supply (not included). It is particularly suitable to monitor and manage room temperature in Data Centres, LV/MV panels, warehouses, etc.

XM11 - Room temperature and humidity

This device acquires room temperature and humidity data to send them to the X-RWU's for visualisation and storage. XM11 is suitable for wall fitting and the X-RWU can power up to two XM11 modules and any additional one must have its own 12Vdc power supply (not included). It is particularly suitable to monitor and manage room temperature and humidity in Food industry. Humidity Range (Relative Hum 0-100%) ±2% accuracy within the 10 to 90% range. Temperature Range (-10°C +65°C) ±0,8°C accuracy (±0.3°C at 25°C).

XM15 - Load interface relay module

To use the 4 outputs and manage the 220Vac single phase standard loads, they must be connected to an XM15 module. The module is 220Vac powered and the 4 relays are entirely independent and each one of them can manage loads up to 16A.

XM18 - Loads management

The 4 outputs' management is carried out by a sophisticated software that makes it possible to intervene and manage the loads to eliminate or reduce power usage according to the thresholds agreed with the Electricity supplier.